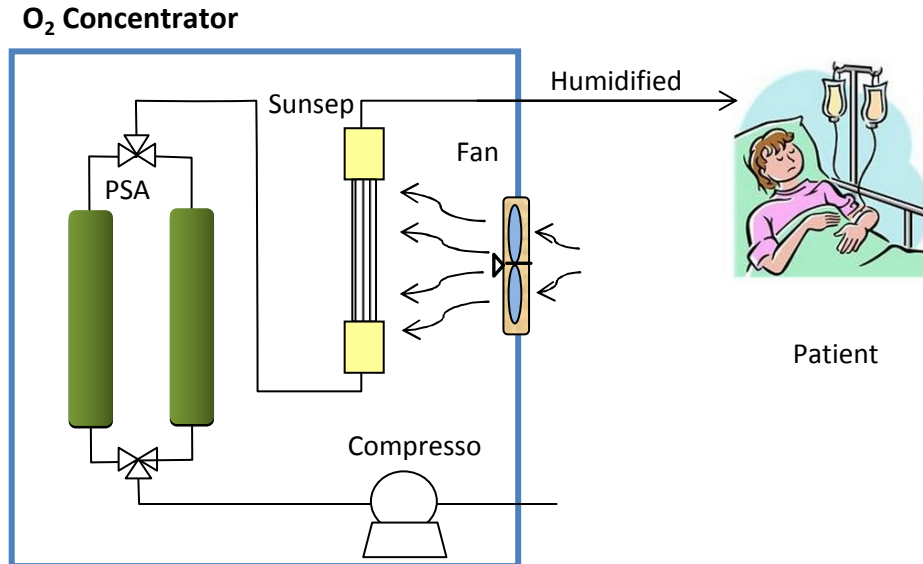


## An oxygen concentrator humidifying system featuring Sunsep™ hollow fiber membrane modules.

Sunsep™ humidifier systems are an environmentally friendly, easy-to-use solution for your medical gas humidifying needs. Compared to conventional water-bubbling humidification systems, Sunsep™ systems, based on Flemion™ fluorinated ion exchange membrane technology, are smaller and lighter, and can be used to control moisture in a variety of gas humidification applications.

Sunsep™ is a registered trademark of AGC Engineering Co., Ltd.  
Flemion™ is a registered trademark of Asahi Glass Company.



The system shown here is for illustration purposes only. Actual configuration may vary.

### ● FEATURES

- No power source or electrical connections required.
- The system has no moving mechanical parts, so it is maintenance-free.
- Since the Sunsep™ hollow fiber is a non-porous membrane that has a high affinity for water molecules, only water vapor permeates the membrane and there is no penetration by bacteria.
- Unlike water-bubbling humidification systems, the Sunsep™ system is not noisy.

### ● TYPICAL PERFORMANCE

(Hollow fiber module)

Hollow fiber diameter :  $\phi 1.0\text{mm(OD)} * \phi 0.78\text{mm(ID)}$

Effective length : 310mm

Number of hollow fibers : 40 pcs

(Ambient air)

Temperature : 25 deg-c

Relative humidity : 75%

(Supply air)

Temperature : 25 deg-c

Relative humidity : 0.4%

### ● For more information:

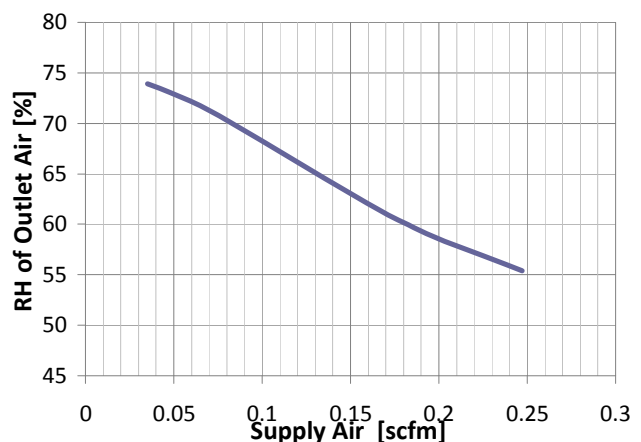
Bellex International Corporation

200 Bellevue PKWY, Suite 180, Wilmington DE 19809 USA

TEL +1(302)791-5180, FAX+1(302)791-5190

<http://www.bellexinternational.com/products/sunsep/>

### Humidifying Performance



Test results shown below were not obtained using this configuration.

ENVIRONMENTAL Company  
AGC ENGINEERING CO., LTD.

WBG MARIE WEST 19F, 2-6 Nakase, Mihama-ku, Chiba-shi, CHIBA 261-7119 JAPAN Tel 81-43-350-3378 Fax 81-43-350-3384