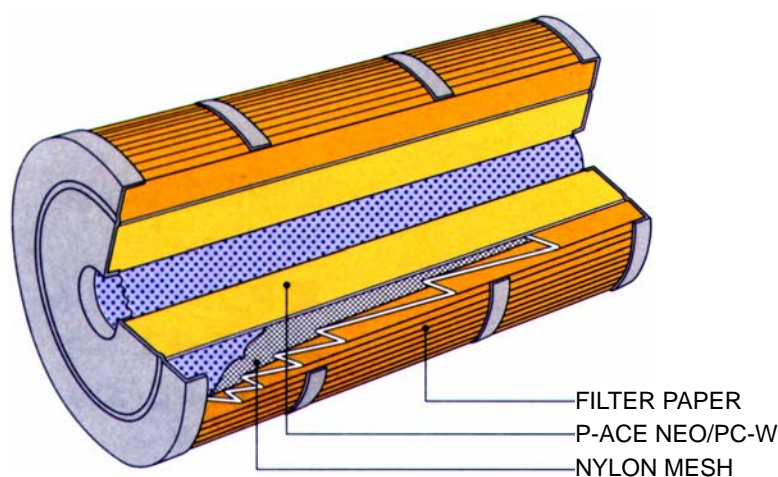


# P-ACE

## Dry Cleaning Cartridge Filter

### For Solvent Odor Protection

- Solves odor problems with petroleum solvents by removing moisture and fatty acids to prevent bacteria growth.
- Superior dye removal capability. (P-ACE NEO)
- The top brand of dry cleaning filter in Japan where 80% of dry cleaners use petroleum solvents.
- Laboratory and customer field tests with Exxon DF-2000™ demonstrated that P-ACE removes odors from solvents which carbon/clay filters do not.
- Applicable to both petroleum and perc solvents in dry to dry and transfer machines.



- P-ACE NEO: For color and odor protection.

Model	Dimensions (Diam % H)	Type	Per Carton
S-230-C	13 <sup>1</sup> / <sub>4</sub> " x 8 <sup>7</sup> / <sub>8</sub> "	Split Jumbo with Filter Paper	2 pcs
S-195-C	7 <sup>3</sup> / <sub>4</sub> " x 14 <sup>1</sup> / <sub>4</sub> "	Carbon Core with Filter Paper	4 pcs
S-195-CN	7 <sup>3</sup> / <sub>4</sub> " x 14 <sup>1</sup> / <sub>4</sub> "	All Carbon with no Filter Paper	4 pcs

- PC-W: Best for odor protection. Combine with P-ACE NEO or carbon filter.

Model	Size (Diam % H)	Type	Per Carton
S-230-W	13 <sup>1</sup> / <sub>4</sub> " x 8 <sup>7</sup> / <sub>8</sub> "	Split Jumbo with Filter Paper	2 pcs
S-195-W	7 <sup>3</sup> / <sub>4</sub> " x 14 <sup>1</sup> / <sub>4</sub> "	Carbon Core with Filter Paper	4 pcs

For more information on P-ACE, please contact:

**Bellex Internatinoal Corporation**

**200 Bellevue PKWY, Suite 180, Wilmington DE 19809,**

**Tel: 302-791-5180, Fax: 302-791-5190**

[www.bellexinternational.com](http://www.bellexinternational.com)