

RoHS Compliant

Manostar Low Differential Pressure Gauge WO81



WO81FN

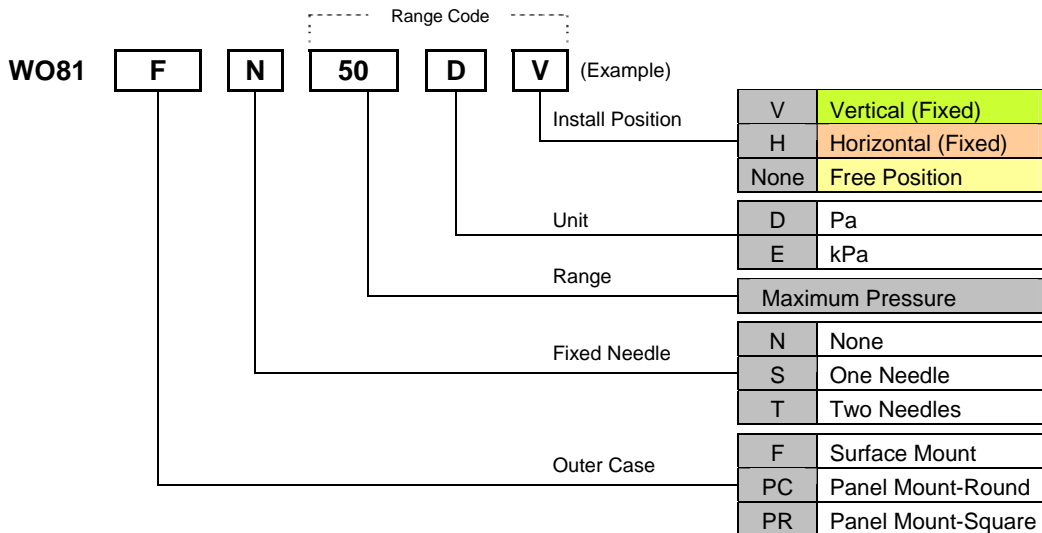


WO81PRS



WO81PCT

Product Code Naming



Specifications

Model	Fixed Indicator		Surface Mount	Panel Mount-round	Panel Mount-square
			F	PC	PR
	None		WO81 F N	WO81 PC N	WO81 PR N
	One (red)		WO81 F S	WO81 PC S	WO81 PR S
Two (red and green)		WO81 F T	WO81 PC T	WO81 PR T	
Units	Pa, kPa		Applicable Tubing	1. Vinyl or rubber tubing (ID 6mm)	
Measure. Type	Differential Pressure			2. Metal tubing (OD 6mm ± 0.1mm)	
Mechanism	Diaphragm			(connectors sold separately)	
Gases Measured	Air & non-corrosive gases (no liquid)			3. Hard plastic tubing (OD 6, ID 4)	
Needle Angle	Apx. 270° angle display Needle Length 170mm(L)			(Inner sleeve set (XIN6x4) and connectors sold separately)	
Operating Temp	-10°C~50°C (No icing)		Orientation of Connectors	-High pressure side= red,	
Op. Humidity	90%RH or less (no condensation)			low pressure side= blue	
Max. Pressure	200kPa			-Polarity can be reversed by	
Outer Casing	Polycarbonate, denatured polyamide			reversing Hi and Low connectors	
ShockResistance	100m/s ² (6times in triaxial directions)		Weight	Approx. 270g	
Vibration Resistance	5-10Hz Total Amplitude 10mm 10-50Hz Accelerated Amplitude 39m/s ² (2 hours in each triaxial direction)				
Accessories	WO81F		WO81PC		WO81PR
	Screw Set		2 Connector Sets		Nut Set
Pressure Range Code	Pressure Range	Standard Install Position	Accuracy at 20°C	Diaphragm Material	Max. Diaphragm Pressure
50DH	0~50 Pa	Horizontal (fixed)	± 5%F.S.	Silicon Rubber	10kPa
50DV		Vertical (fixed)			
100DH	0~100 Pa	Horizontal (fixed)	± 2.5%F.S.		
100DV		Vertical (fixed)			
200D	0~200 Pa	Free position: horizontal or vertical	± 1.5%F.S.		40kPa
300D	0~300 Pa				
500D	0~500 Pa				
1000D	0~1000 Pa				
2E	0~2 kPa				
3E	0~3 kPa				
5E	0~5 kPa				
10E	0~10 kPa	150kPa			
20E	0~20 kPa				
30E	0~30 kPa				
50E	0~50 kPa				
100E	0~100 kPa				
± 50DH	± 50 Pa	Horizontal (fixed)	± 2.5%F.S.	10kPa	
± 50DV		Vertical (fixed)			
± 100D	± 100 Pa	Free position: horizontal or vertical	± 1.5%F.S.	40kPa	
± 200D	± 200 Pa				
± 300D	± 300 Pa				
± 500D	± 500 Pa				
± 1000D	± 1000 Pa				
± 2E	± 2 kPa	Equivalent to pressure ranges	± 5%F.S.	Equivalent to pressure ranges	
± 3E	± 3 kPa				
Flow Range Code	Flow Range				
None	0~ V M U				

Note: V Value:Any(round) M Magnification:X10, X1000, X10000 U Unit: m³/h,m³/min, m³/h(nor), M³/min(nor)

- If you are planning to install the gauge facing downward (horizontally, or at an angle), please let us know at the time of your order, as the unit must be adjusted prior to shipment.

For more information, please contact:

Bellex International Corporation

200 Bellevue PKWY, Suite 180

Wilmington, DE 19809, USA

Tel: 302-791-5180, Fax: 302-791-5190,

www.bellexinternational.com