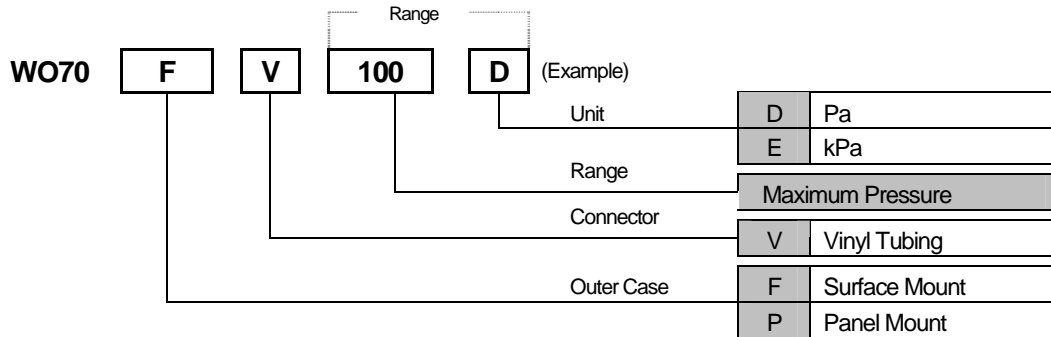


RoHS Compliant

Manostar Small Low Differential Pressure Gauge WO70



Product Code Naming



Specifications

Model	Surface Mount		Panel Mount		
	WO70FV		WO70PV		
Unit	Pa, kPa				
Type of Measurement	Differential Pressure				
Fixed Indicator Color	Red				
Mechanism	Diaphragm				
Gases Measured	Air and non-corrosive gases (no liquids)				
Needle Angle	Approx. 90°				
Operating Temperature	-10°C~50°C (no icing)				
Operating Humidity	Less than 90%RH (no icing)				
Casing Max. Pressure	50kPa				
Outer Casing	Polycarbonate, denatured polyamide				
Shock Resistance	100m/s ² (6 times in each triaxial direction)				
Vibration Resistance	5-10Hz Total Amplitude 10mm,				
Applicable Tubing	1.Vinyl or rubber tubing (ID 6mm) (standard connector enclosed) 2.Metal tubing (OD 6mm ± 0.1mm) (connectors sold separately) 3.Hard plastic tubing (OD 6mm, ID 4mm), (Inner sleeve set (XIN6x4) and connectors sold separately)				
Orientation of Connectors	High pressure side= red, low pressure side= blue For only side tubing models, polarity can be reversed by reversing Hi and Low connectors				
Weight	Approx. 200g				
Accessories	Nut set (WO70PV only)				
Pressure Range Code	Pressure Range	Standard Instal Position	Accuracy at 20°C	Diaphragm Material	Max. Diaphragm Pressure
100D 200D 300D 500D 1000D	0~100 Pa 0~200 Pa 0~300 Pa 0~500 Pa 0~1000 Pa	Free position: horizontal or vertical	±2.5%F.S.	Silicon Rubber NBR	20kPa
2E 3E 5E	0~2kPa 0~3kPa 0~5kPa				
± 100D ± 200D ± 300D ± 500D	± 100 Pa ± 200 Pa ± 300 Pa ± 500 Pa				

- If you are planning to install the gauge facing downward (horizontally, or at an angle), please let us know at the time of your order, as the unit must be adjusted prior to shipment.

For more information, please contact:

Bellex International Corporation

200 Bellevue PKWY, Suite 180

Wilmington, DE 19809, USA

Tel: 302-791-5180, Fax: 302-791-5190,

www.bellexinternational.com