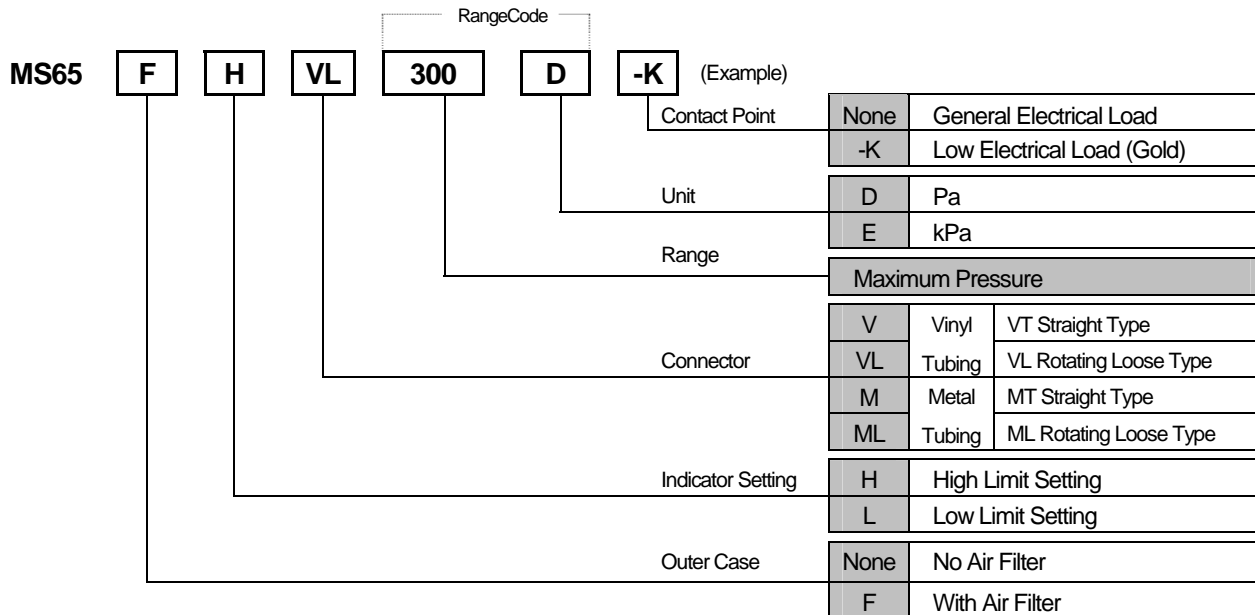


RoHS Compliant

## Manostar Switch MS65: Differential Pressure Switch



### Product Code



## Specifications

MODELS	Standard Model		With Air Filter	
	MS65		MS65F	
Units	Pa, kPa			
Type of Measurement	Differential Pressure			
Mechanism	Diaphragm			
Gases Measured	Air and non-corrosive gases (no liquids)			
Pressure Measurement	Knob with indicator			
Installation	Free position: between Upward Horizontal - Vertical			
Operating Temperature	-10°C~50°C (no icing)			
Operating Humidity	Less than 90%RH (no condensation)			
Max. Casing Pressure	200kPa			
Max. Diaphragm Pressure	40kPa			
Outer Casing	Phenol resin & aluminum die-cast			
Shock Resistance	100m/s <sup>2</sup> (6 times in each triaxial direction)			
Vibration Resistance	5~10Hz Total Amplitude 10mm, 10~50Hz Accelerated Amplitude 39m/s <sup>2</sup> (2 hours in each triaxial direction)			
Insulation Resistance	Terminal to ground: 20MΩ + (500V DC megger)			
Voltage Resistance	Terminal to ground: 1500V AC 50/60 Hz 1 min.			
Applicable Piping	1. Vinyl or rubber tubing (ID 6mm) 2. Metal tubing (OD 6mm ± 0.1mm) (connectors sold separately) 3. Hard plastic tubing (OD 6mm, ID 4 mm) (Inner sleeve set (XIN6x4) and connectors sold separately)			
Orientation of Connectors	High pressure side marked "H", low pressure side marked "L"			
Contact Points	For General Electric Load or Low Electric Load (See Micro Switch Contact Point Rating)			
Air Filter	None		Formalized Poly Vinyl Porous Film Sheet	
Weight	approx. 380g		approx. 550g	
Pressure Range Code	Pressure Range	Accuracy (20°C)	Max. Pressure Differential	Diaphragm Material
60D	10~60Pa	± 2Pa	15Pa	Polyester Film
120D	20~120Pa	± 4Pa	20Pa	
300D	50~300Pa	± 8Pa	40Pa	
600D	100~600Pa	± 15Pa	60Pa	
1.2E	0.2~1.2kPa	± 30Pa	120Pa	
3E	0.5~3kPa	± 80Pa	400Pa	
6E	1~6kPa	± 150Pa	600Pa	Silicon Rubber
12E	2~12kPa	± 300Pa	1200Pa	
30E	5~30kPa	± 750Pa	4000Pa	

- If you are planning to install the gauge facing downward (horizontally, or at an angle), please let us know at the time of your order, as the unit must be adjusted prior to shipment.
- When measuring flammable gases, or using switch in a flammable atmosphere, use intrinsically-safe construction and contact signal exchangers (EB3C).

For more information, please contact:

### Bellex International Corporation

200 Bellevue PKWY, Suite 180

Wilmington, DE 19809, USA

Tel: 302-791-5180, Fax: 302-791-5190,

[www.bellexinternational.com](http://www.bellexinternational.com)