

Micro Differential Pressure Switch

NEW

Manostar Switch MS30 Compact type connecting electric connector Micro Differential Pressure Switch

Patent pending



RoHS compliant

- UL standards and CE directive (CE marking) conformity
- It is easy to wire by the 3P mini-clamp connector produced by 3M Co., Ltd.
- Small hysteresis is realized by the silicone rubber diaphragm.
- The optimum specification for the product that is needed to control difference pressure, in cooperation with the semi-conductor manufacturing company.



MS30

* The electric connector on wiring side is not attachment for a product. When you need it, use the optional 3P wire install plug. (refer to p.28)

<Example of main use field>

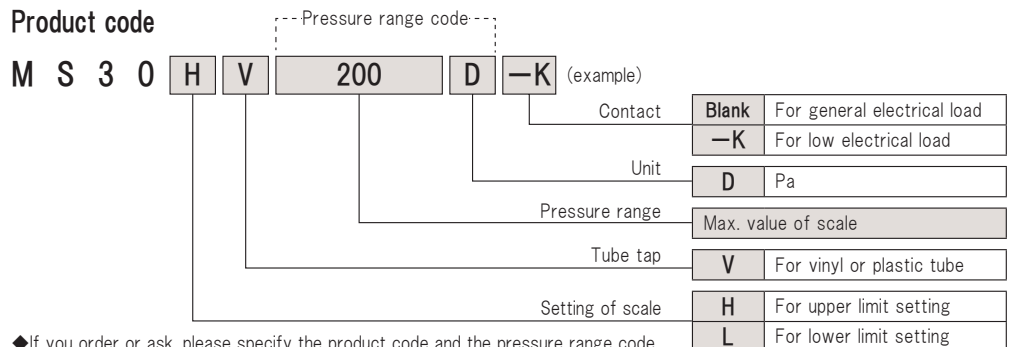
Manufacturing machine parts of semi-conductors
 Measuring negative pressure in bag filter and differential pressure in air conditioners
 Monitoring of pressure loss in filters
 Production lines of precision machine
 Air conditioning control system of factory

<Example of use>

Measuring inner pressure of indoor equipments
 Detector of a pressure loss in an air filter
 Detector of a pressure loss in a bag filter
 Measuring of dynamic pressure in a ventilator and an exhauster
 Measuring the inside pressure of clean rooms

* (refer to p.93)

Product code



◆ If you order or ask, please specify the product code and the pressure range code.

- WO81
- WO70
- FR51A
- MS30**
- MS61A
- MS65
- EB3C
- EMD8
- EMD7
- EMT6
- EMT1
- EMTGPI
- EMT1H
- EMP5
- EMA3
- EMRT1
- HWS15
- Combination of Manosys
- Accessories
- Application Cautions for use Maintenance

Specification

Items	Types		For upper limit setting		For lower limit setting		
			MS30HV		MS30LV		
Pressure unit	Pa		Withstanding vibration 5 to 10 Hz Amplitude : 10 mm, 10 to 50 Hz Acceleration : 39 m/s ² (each two hours on triaxial directions) Withstanding impact 100 m/s ² (each six times on triaxial directions) Insulation resistance Between each terminal and case 20 MΩ or more (500 V DC megger) Withstand voltage Between each terminal and case 1500 V AC 50 / 60 Hz, for one minute Applicable piping Vinyl, plastic or rubber tube (I.D. 4) Tube tap polarity The part of tube tap is marking "H" on high pressure side and "L" on low pressure side. Electric connector 3P mini-clamp Connector (produced by 3M Co., Ltd.) The electric connector wiring side is not attachment for a product. When you need it, use the optional electric connector. Mass Approximately 120 g . Conformed Standards EU directive EMC directive UL standards UL and C-UL recognition component The applicable request standards···UL508 File No.·········· E240648 Caution In case of mesuring combustible gas and using in combustible gas area, use with intrinsically safe apparatus construction.		5 to 10 Hz Amplitude : 10 mm, 10 to 50 Hz Acceleration : 39 m/s ² (each two hours on triaxial directions)		
Pressure measuring method	Measuring differential pressure						
Pressure receiving element	Diaphragm (silicone rubber)						
Gas to be measured	Air, non-corrosive and non-combustible gases (not liquid)						
Pressure setting method	Dial with scale						
Standard installation position	Vertical In case of installing horizontal position, set the dial kept to add 20Pa against setting pressure value.						
Medium and ambient temperature	- 10 to + 60 °C (no freezing)						
Ambient humidity	90 % RH or less (no dewing)						
Withstanding pressure of instrument body	10 kPa (refer to p.104)						
Withstanding pressure of receiving element	10 kPa (refer to p.104)						
Material of the outer case	Polycarbonate						
Pressure range codes	Pressure ranges				Accuracy of switching point (at 20 °C)	Repeatabilities	Max. switching difference pressures
200 D	For upper limit setting 30 ~ 200 Pa				± 10 Pa	± 2 Pa	30 Pa
	For lower limit setting 20 ~ 200 Pa						
500 D	50 ~ 500 Pa		± 25 Pa	± 5 Pa	40 Pa		
1000 D	100 ~ 1000 Pa		± 50 Pa	± 10 Pa	60 Pa		

◆ In case of mesuring combustible gas and using in combustible gas area, specify the product for low electrical load and combine contact signal transducer. (refer to p.39) Use with intrinsically safe apparatus construction.

Contact rating

Contact types	Specifications	Rated voltages	Resistive loads	Inductive loads
For general electrical load	Contact composition SPDT (single pole double throw type) Electrical life 7000 times or more Material of the contact Silver	30 V DC	3 A	2 A (Time constant 7 ms)
For low electrical load	Contact composition SPDT (single pole double throw type) Electrical life 100,000 switching cycles Material of the contact Gold alloy	30 V DC	0.1 A	—

Rated authorized standard for safety

Conformed Standards UL standards UL and C-UL recognition component
The applicable request standards···· No.UL508
File No.·········· E240648

Types	Rating
For general electrical load MS30HV, MS30LV	DC 2 A—30 V
For low electrical load MS30HV—K, MS30LV—K	DC 0.1 A—30 V

◆ In case of low current or voltage, use the low electrical load type. The general electrical load type is decreased contact reliability. (refer to p.100)
◆ In case of driving an inductive load such as relay, contact trouble may be happened due to counter electromotive force and rush current, therefore insert the protective circuit for absorbing surge by using diode or varistor (refer to p.32).

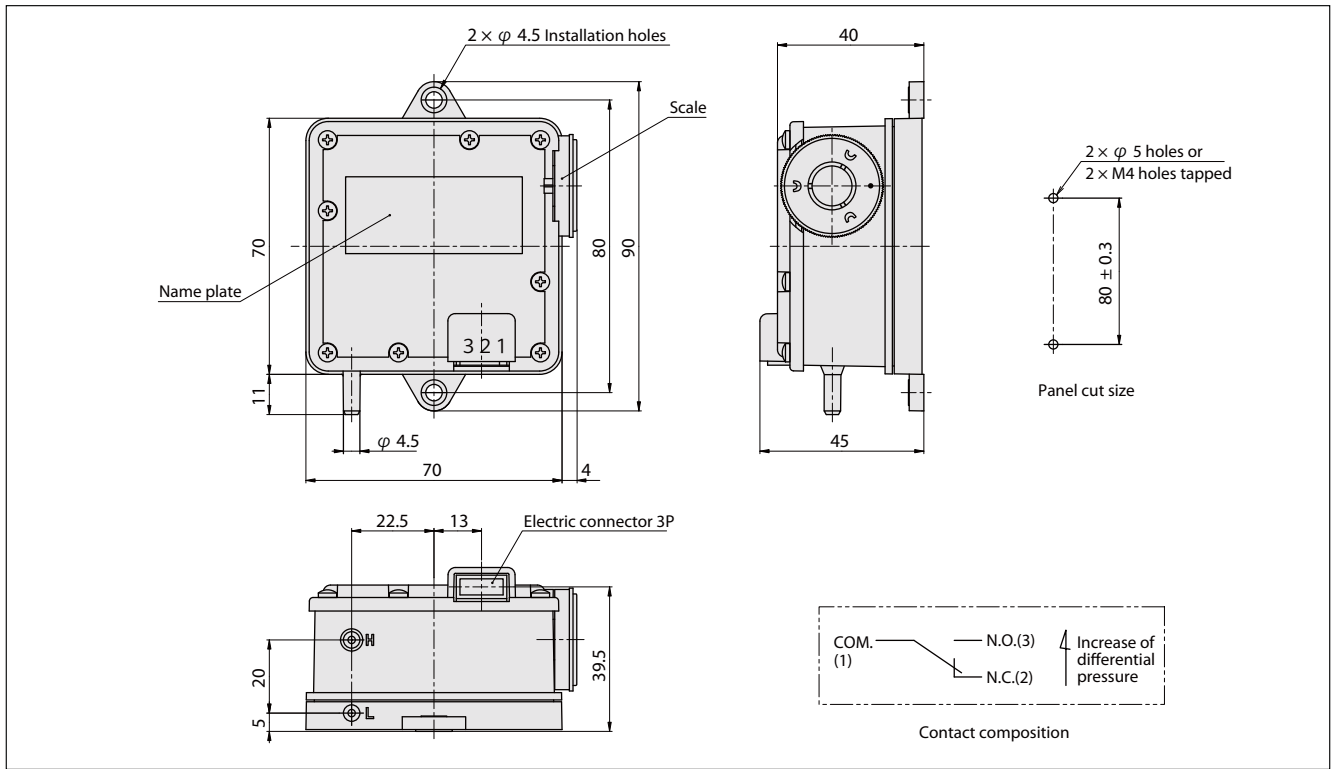
- WO81
- WO70
- FR51A
- MS30
- MS61A
- MS65
- EB3C
- EMD8
- EMD7
- EMT6
- EMT1
- EMTGP1
- EMT1H
- EMP5
- EMA3
- EMRT1
- HWS15
- Combination of Manosys
- Accessories
- Application Cautions for use Maintenance

Micro Differential Pressure Switch

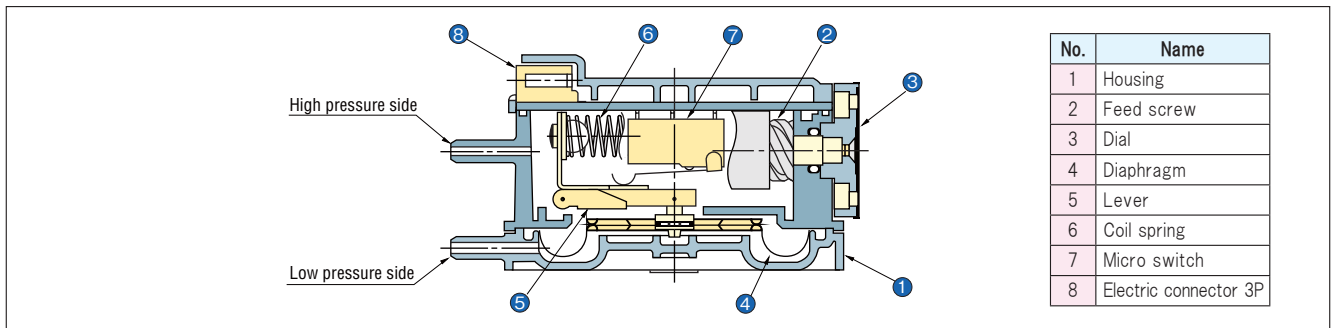
- WO81
- WO70
- FR51A
- MS30**
- MS61A
- MS65
- EB3C
- EMD8
- EMD7
- EMT6
- EMT1
- EMTGP1
- EMT1H
- EMP5
- EMA3
- EMRT1
- HWS15
- Combination of Manosys
- Accessories
- Application Cautions for use Maintenance

Manostar Switch MS30

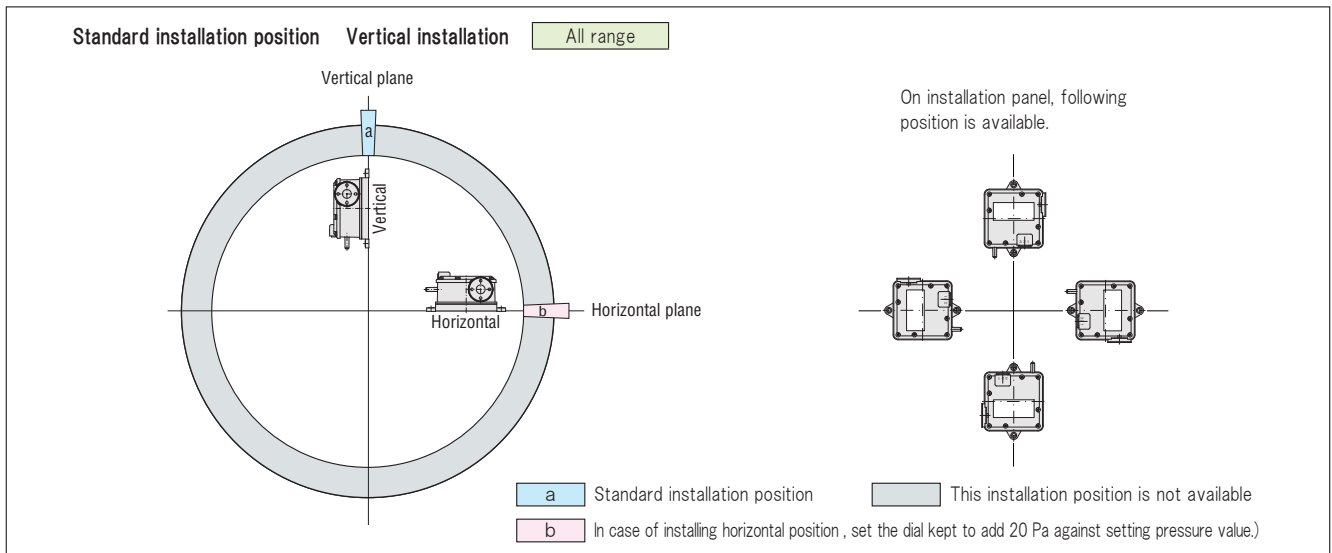
Outline drawing



Main structure



MS30 Installation position



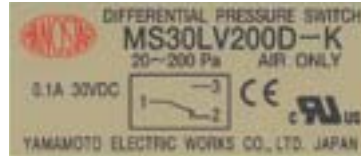
◆ In case of standard installation position, do not need to specify the product code and the pressure range code.

Name plate

Name plate for general electrical load



Name plate for low electrical load



About mini-clamp connector for MS30 model ▶▶▶

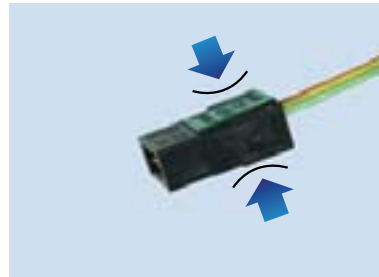
3P mini-clamp connector produced by 3M Co., Ltd. is installed in MS30 model.

Because of wire-press system of the electric connector, wires can be easily crimped without any special tools and wire stripping. You can wire work only to inset the wires and to clamp with the plier.

The type contributes to reduction of the total setup time and cost in comparison with screw terminal block type.



Inset the wire to be connected



Clamp the electric connector with pliers

Comparison terminal block type and mini-clamp connector type

<Wiring process>

Screw terminal type (usual the micro differential pressure switch)		Mini-clamp connector type (MS30 model)	
Process	Number of operation	Process	Number of operation
· Wire cover stripping	3 times	· Wire insertion to connector	3 times
· Wire insertion to crimp terminal	3 times	· Crimping	1 time
· Crimping	3 times	· Connecting with MS30 body	1 time
· Loosing terminal screw of the instrument body	3 times	· Check	1 time
· Crimping screws of the instrument body	3 times		
· Check	1 time		
Total 16 operations		Total 6 operations	

<Wiring time>

* Wiring time is measured by Yamamoto Electric Works

Accessory for MS30 RoHS compliant

3P Wire Mount Plug			
It is the 3P mini-clamp connector of wiring side. After confirming the specifications of applicable wiring(cross-section of conductor, O.D. of the wire cover), select following the applicable wire.			
Product code	Color	Applicable cable	
		Nominal cross-sectional area	Wire cover diameter
37103-2124-000FL	Green	0.3 to 0.5 mm ²	1.0~1.2 mm
37103-2165-000FL	Blue		1.2~1.6 mm
37103-2206-000FL	Gray		1.6~2.0 mm

○The Wire Mount Plug is made by 3M Co., Ltd.

○Wire crimping system was developed by 3M Co., Ltd in 1958. This system is used for computers and factory automation equipments that used in severe environment. There is actual proof of long-reliability in many equipments.

○This Wire Mount Plug can not be used for EMD8 model. (refer to p.41).

- WO81
- WO70
- FR51A
- MS30
- MS61A
- MS65
- EB3C
- EMD8
- EMD7
- EMT6
- EMT1
- EMTGP1
- EMT1H
- EMP5
- EMA3
- EMRT1
- HWS15
- Combination of Manosys
- Accessories
- Application Cautions for use Maintenance

Product Warranty

Warranty Period

This product warranty is valid for one year from the date of delivery to a place specified by an ordering party who has transacted directly with Yamamoto Electric Works Co., Ltd.

Coverage

If a product breaks down due to a reason for which we are responsible during the warranty period and you return the product to us, we will either repair or replace the product free of charge.

This warranty does not cover:

- (1) Usage of the product under any inappropriate conditions or environment contrary to what is described in our product catalog, specifications or manual.
Handling or usage of the product other than as described in our product catalog, specifications or manual.
- (2) Breakdown due to a reason other than a fault within our product.
- (3) Any product that has been modified or repaired by a party other than us.
- (4) Any breakdown due to a reason that was not foreseeable based on scientific and technical standards applied at the time of shipment.
- (5) Any breakdown due to a reason not attributable to us such as a natural calamity or other disaster.

These terms of warranty represent our entire liability with respect to the product, and we shall have no liability for any other loss arising in connection with a breakdown of the product.

*This product warranty is only valid within Japan.

This document is a translation from the original Japanese version, and the original Japanese version has priority over this translation.

Be sure to refer to the original Japanese for the details of this warranty.



Caution

The Japanese original document shall always take precedence over the translated versions.

You should be sure to refer to the Japanese original document.

Sole Agent  **Manostar CO.,LTD.**

1-2-3, Nishishiriike-cho, Nagata-ku, Kobe,
Hyogo 653-0031 JAPAN
TEL. +81 (78) 621-7000 FAX. +81 (78) 621-7788

Manufacturer

 **Yamamoto Electric Works Co., Ltd.**

1-2-3, Nishishiriike-cho, Nagata-ku, Kobe,
Hyogo 653-0031 JAPAN
TEL. +81 (78) 631-6000 FAX. +81 (78) 631-6020