

RoHS Compliant

Manostar Digital Pressure Gauge: EMD7



Features:

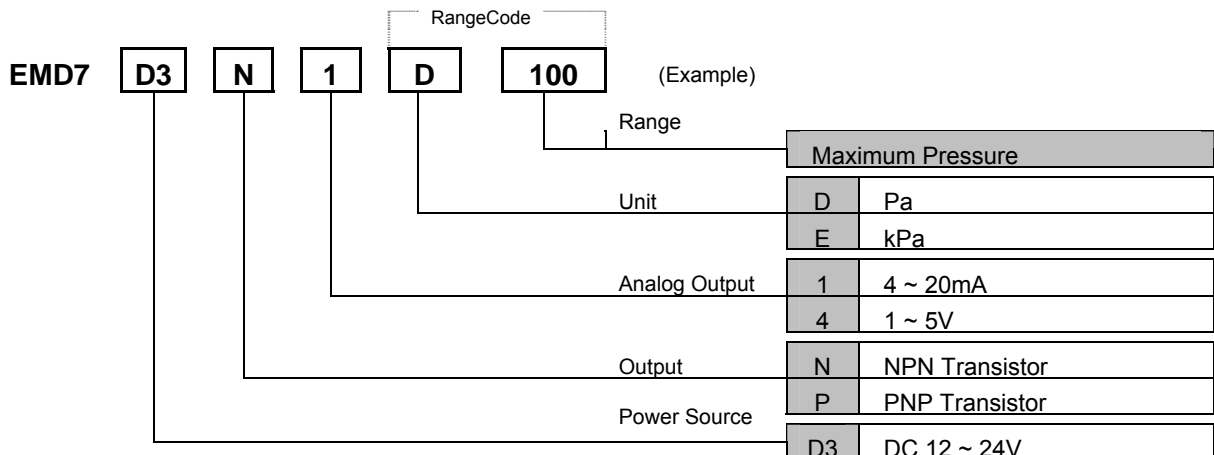
The popular high-precision digital differential pressure gauge, EMD7, is back!

- Eight pressure range options are available, from 0 ~ 100Pa to 0 ~ 5kPa
- Two analog output options are available: 4 ~ 20mA or 1 ~ 5V
- Two alarm output options are available: NPN or PNP Open collector
- Compatible with 12-24VDC power sources
- Additional functions for differential pressure measurement are available: Moving average filter, maximum and minimum memories, delay timer and more
- Alarm function modes can be selected for various applications
- Complies with EC directive and UL regulations



EMD7D3

Product Code Naming



Model	EMD7 (Panel-mounted type)			
Type of Measurement	Differential pressure			
Gases Measured	Air and non-corrosive gases (no liquids)			
Mechanism	Diaphragm (silicon rubber)			
Max. Diaphragm Pressure	20kPa			
Operating Temp.	0°C~50°C (No icing)			
Operating Humidity	35~85%RH or less(No condensation)			
Applicable Tubing	Vinyl or rubber tubing: ID 4 (OD <6)(connectors are built into unit)			
Orientation of Connectors	High pressure side marked “H”, low pressure side marked “L”			
Signal Transformation	Variable inductance			
Display	Red 7 segment LED 4 digits (Three right digits used for pressure and alarm display, left digit used to display mode.)			
Reset Method	Auto-zero (push button)			
Insulation Resistance	Terminal to ground: over 10MΩ (500V DC megger)			
Voltage Resistance	Terminal to ground: 500V AC 50/60Hz 1 min.			
Casing Material	ABS Polymer (ivory color)			
Alarm Output	Output Method EMD7D3N: NPN Open Corrector 1 each, upper and lower limits Maximum load current:: 100mA per output Maximum load voltage: 30V Output saturation voltage: <1V EMD7D3P: PNP Open Corrector 1 each, upper and lower limits Maximum load current:: 100mA per output Maximum load voltage: 30V Output saturation voltage: <2V Range of Settings: Upper limit 0-100%F.S. Lower limit 0-100%F.S. Hysteresis Range: 1-5%FS, adjustable Setup Method: Digital setup with push button Output Display: Red LED X 2			
Analog Output	Output Method: 4 ~ 20mA (between 0 ~ FS pressure) Load resistance: 0 ~ 250Ω 0 ~ 5V (between 0 ~ FS pressure) Load resistance: >10KΩ Accuracy ±1.5%FS (at 20°C) Temperature Drift ±0.15%FS/°C (zero+span)			
Max. Power Consumption	100mA (internal consumption only)			
Power Supply Voltage	12 ~ 24V DC ±10% (ripple <10%)			
Weight	Approx. 130g (including terminal cover, panel install adaptor)			
Accessories	Panel install adaptor			
Pressure Range Code	Pressure Range	LED Display	Diaphragm Pressure Resistance	Standard Installation
D100	0~100 Pa	0~100	20kPa	Vertical
D200	0~200 Pa	0~200		
D300	0~300 Pa	0~300		
D500	0~500 Pa	0~500		

Pressure Range Code	Pressure Range	LED Display	Diaphragm Pressure Resistance	Standard Installation
E1	0~1 kPa	0.00~1.00	20kPa	Vertical
E2	0~2 kPa	0.00~2.00		
E3	0~3 kPa	0.00~3.00		
E5	0~5 kPa	0.00~5.00		

Applicable Regulations

1. EC Directive

This model complies with EMC and low voltage directives of EU

EMC Directive General Requirements: Regulation#

(1) EMI (Electromagnetic Emission): EN61000-6-3

(2) EMS (Electromagnetic Immunity): EN61000-6-2

Low Voltage Directive General Requirements Regulation No.: EN61010-1

2. UL Regulation

This model is certified as a recognized UL regulation part and also meets Canadian regulation (C-UL).

Please observe the following conditions (#3) when installing.

(1) Regulation#: UL3111-1

(2) File#: E220685

(3) Installation Conditions:

Use NEC (National Electrical Code) Class2 power source when connecting with DC power source.



For more information, please contact:

Bellex International Corporation

200 Bellevue PKWY, Suite 180

Wilmington, DE 19809, USA

Tel: 302-791-5180, Fax: 302-791-5190,

www.bellexinternational.com