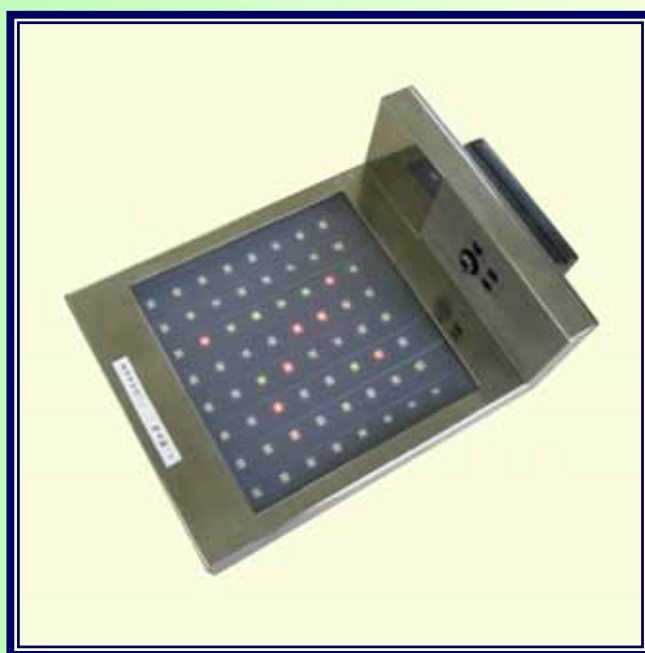


# Electrostatic Image system

**e-Scope** HSK-5000 series

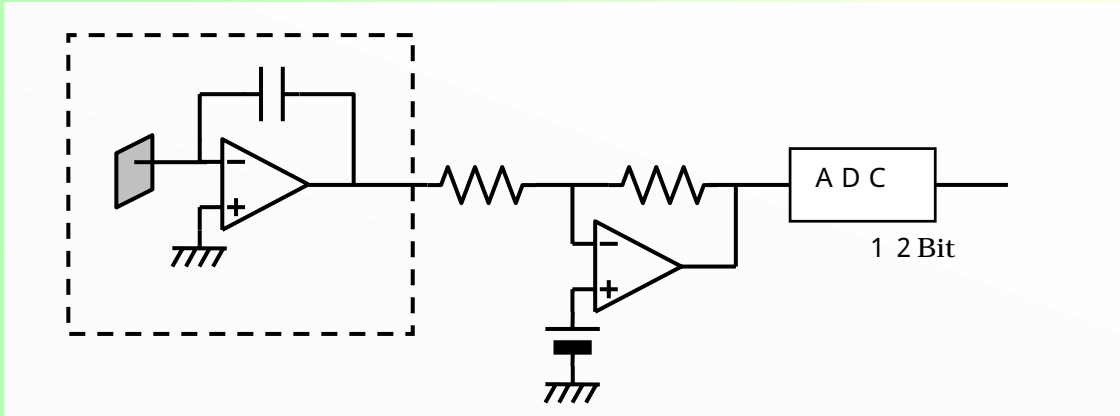
Area Type with LED display

HSK-5064DA



**Outline**

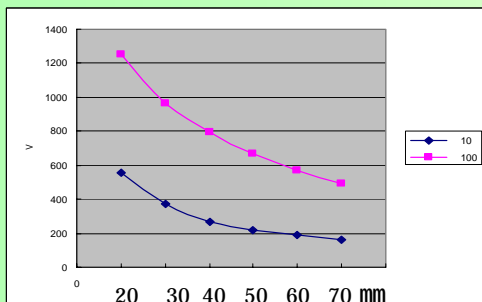
# Block diagram



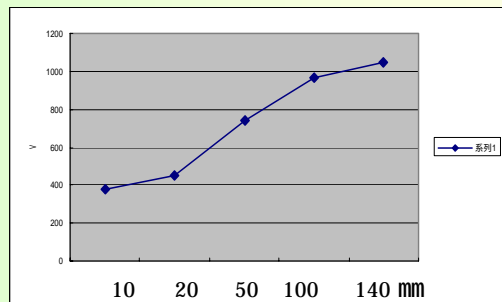
# Accuracy

10KV range: accuracy 10% at 50 mm distance  
2KV range: accuracy 10% at 10 mm distance

# PC connection model : HSK-5064DAC



**Sensitivity of distance  
(@1000V)**



**Sensitivity of Static volume  
(@1000V, distance:30mm)**

**HANWA**

**HANWA ELECTRONIC IND, CO., LTD.**

<http://www.hanwa-ei.co.jp/>

689-3, OGAITO, WAKAYAMA, 649-6272 JAPAN

TEL +81-73-477-4435 FAX +81-73-477-3445

Agency